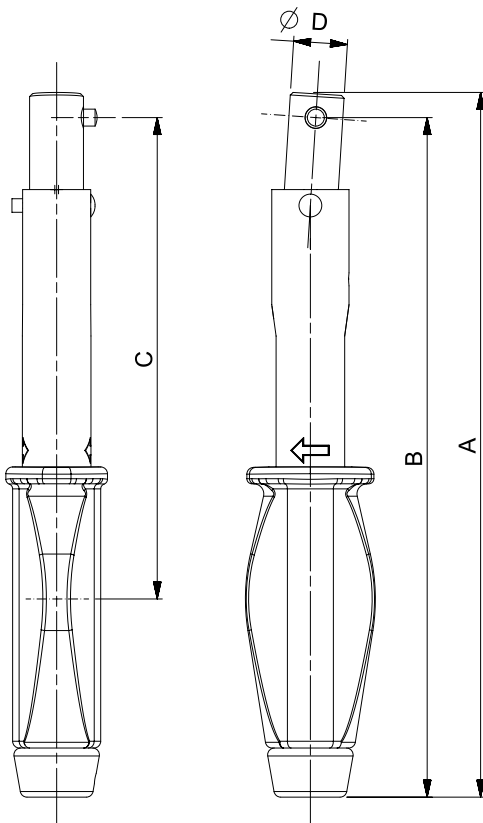


Slimline™ Torque Wrench SLO Torque Handle

Model	SLO Spigot	SLO Spigot 'P' Type
Part Number/s	11126	11090
Torque Range	N·m	4 - 20
	lbf·in	40 - 180
Dimensions (mm)	A	206
	B	199
	C	143
	∅D	16
Weight (Kg)	0.4	0.4



Model	SLO FTH	SLO FTH 'P' Type
Part Number/s	11122	11088
Torque Range	N·m	4 - 20
	lbf·in	40 - 180
Rectangular Drive (mm)	9x12	9x12
Dimensions (mm)	A	205
	B	194
	C	135
	D	22
	E	20
Weight (Kg)	0.4	0.4

